

**SOTI VINDEN CZ with connector PCB**

Component weights	
320 VINDEN CZ with connector PCB	904g
640 VINDEN CZ with connector PCB	911g

**PROPRIETARY AND CONFIDENTIAL**  
 THE INFORMATION CONTAINED IN THIS DRAWING IS THE SOLE PROPERTY OF SIERRA OLYMPIC TECHNOLOGIES, INC. ANY REPRODUCTION IN PART OR AS A WHOLE WITHOUT THE WRITTEN PERMISSION OF SIERRA OLYMPIC TECHNOLOGIES, INC. IS PROHIBITED.

Drawing Rev. A-05

DIMENSIONS ARE IN INCHES. For reference only, except were noted.

DO NOT SCALE DRAWING

MATERIAL

FINISH

COMMENTS:

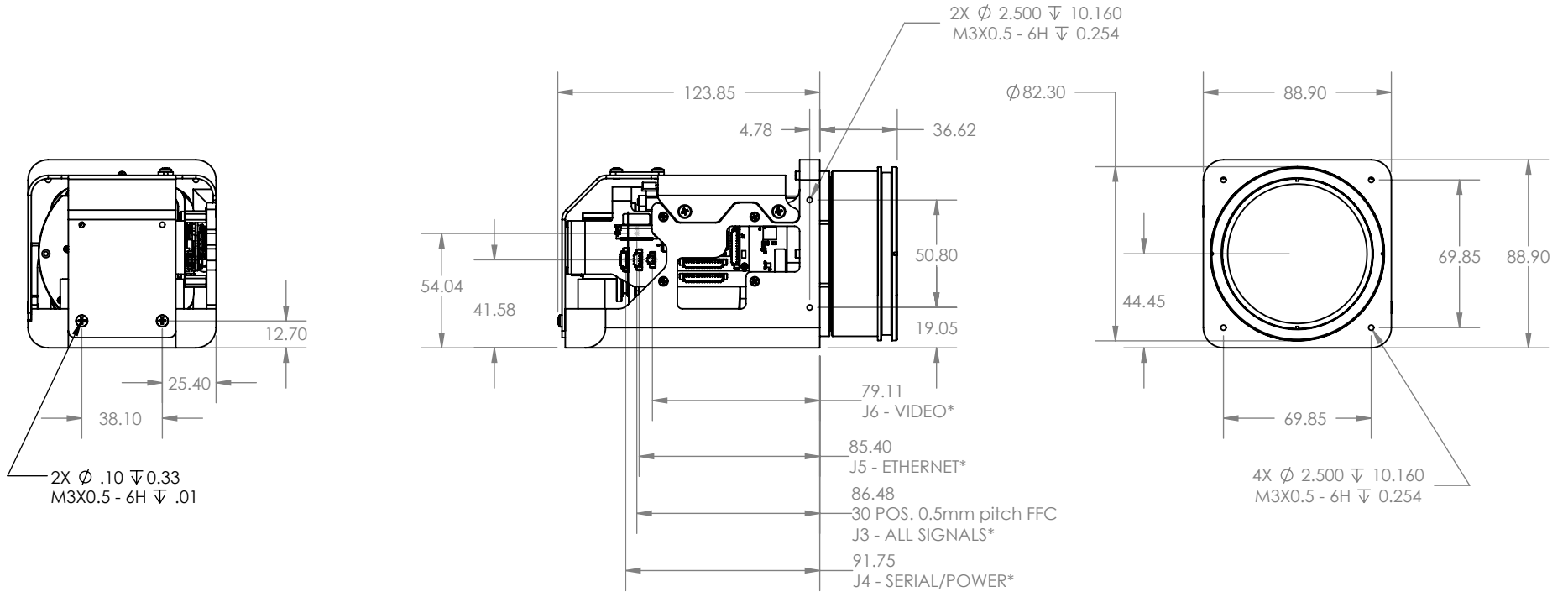
Sierra-Olympic Tech., Inc.

SOTI VINDEN CZ VICD\_metric

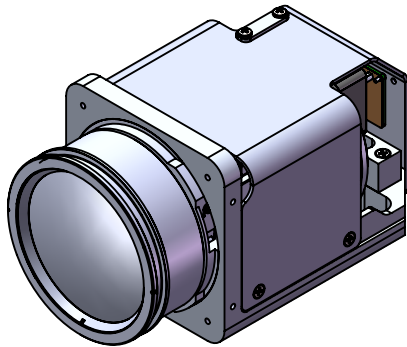
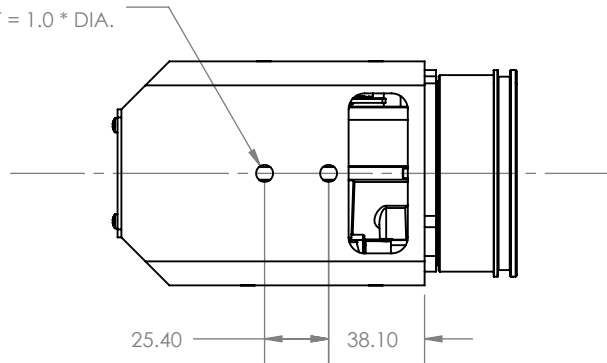
SIZE **A** Revision Date: 11/17/2014 Part Rev. A-24

SCALE:1:3

SHEET 1 OF 3



2X Ø 6.756 THRU  
TAP FOR 1/4-20 HELICOIL INSERT = 1.0 \* DIA.



**SOTI VINDEN CZ**

Component weight	
320 VINDEN CZ	852g
640 VINDEN CZ	859g

Sierra-Olympic Tech., Inc.

SOTI VINDEN CZ VICD\_metric

DIMENSIONS ARE IN INCHES.  
For reference only,  
except were noted.

DO NOT SCALE DRAWING

MATERIAL

FINISH

COMMENTS:

**PROPRIETARY AND CONFIDENTIAL**

THE INFORMATION CONTAINED IN THIS DRAWING IS THE SOLE PROPERTY OF SIERRA OLYMPIC TECHNOLOGIES, INC. ANY REPRODUCTION IN PART OR AS A WHOLE WITHOUT THE WRITTEN PERMISSION OF SIERRA OLYMPIC TECHNOLOGIES, INC. IS PROHIBITED.

Drawing Rev. A-05

SIZE Revision Date:  
**A** 11/17/2014 Part Rev. A-24

SCALE:1:3

SHEET 2 OF 3

\* For pinout table see sheet 3

Connector pinout table	
J3	
1	DGND
2	LVDS_D3_P
3	LVDS_D3_N
4	DGND
5	LVDS_D2_P
6	LVDS_D2_N
7	DGND
8	LVDS_D1_P
9	LVDS_D1_N
10	DGND
11	LVDS_D0_P
12	LVDS_D0_N
13	DGND
14	LVDS_CLK_P
15	LVDS_CLK_N
16	DGND
17	ETH_TX_N
18	ETH_TX_P
19	DGND
20	ETH_RX_P
21	ETH_RX_N
22	DGND
23	TTL_RX
24	TTL_TX
25	VID_GND
26	VIDEO
27	DGND
28	VCC (6-12V)
29	VCC (6-12V)
30	VCC (6-12V)

Connector pinout table	
J4	
1	VCC (6-12V)
2	DGND
3	DGND
4	TTL_RX
5	TTL_TX

Connector pinout table	
J5	
1	TX_P
2	TX_N
3	RX_P
4	RX_N

Connector pinout table	
J6	
1	VID_GND
2	VIDEO

**PROPRIETARY AND CONFIDENTIAL**  
 THE INFORMATION CONTAINED IN THIS DRAWING IS THE SOLE PROPERTY OF SIERRA OLYMPIC TECHNOLOGIES, INC. ANY REPRODUCTION IN PART OR AS A WHOLE WITHOUT THE WRITTEN PERMISSION OF SIERRA OLYMPIC TECHNOLOGIES, INC. IS PROHIBITED.

Drawing Rev. A-05

DIMENSIONS ARE IN INCHES.  
 For reference only,  
 except were noted.

DO NOT SCALE DRAWING

MATERIAL

FINISH

COMMENTS:

Sierra-Olympic Tech., Inc.

SOTI VINDEN CZ VICD\_metric

SIZE **A** Revision Date: 11/17/2014 Part Rev.

SCALE:1:3

SHEET 3 OF 3