

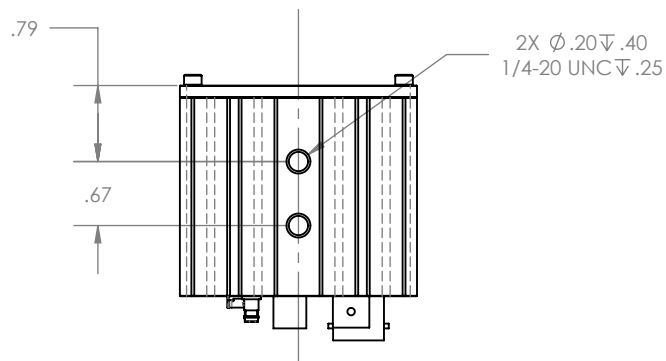
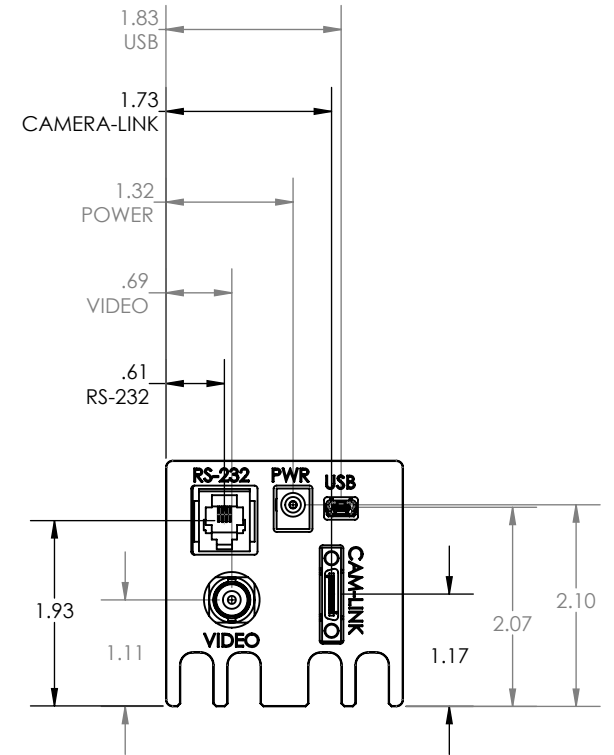
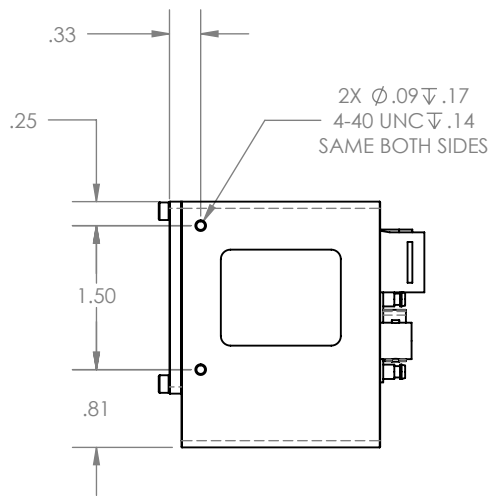
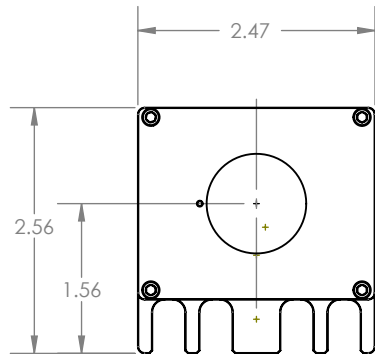
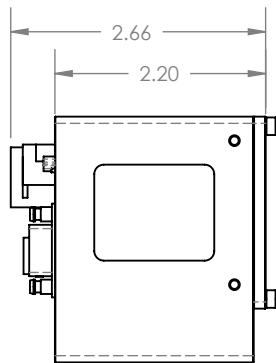
SL-V1-3XN0-M09	Viento320 IR Camera, 320x240, 9Hz, NTSC/PAL, MF09
SL-V1-3XN0-M15	Viento320 IR Camera, 320x240, 9Hz, NTSC/PAL, MF15
SL-V1-3XN0-M27	Viento320 IR Camera, 320x240, 9Hz, NTSC/PAL, MF27
SL-V1-3XN0-M40	Viento320 IR Camera, 320x240, 9Hz, NTSC/PAL ,MF40
SL-V1-3XN0-A06	Viento320 IR Camera, 320x240, 9Hz, NTSC/PAL, AF06
SL-V1-3XN0-A09	Viento320 IR Camera, 320x240, 9Hz, NTSC/PAL, AF09
SL-V1-3XN0-A16	Viento320 IR Camera, 320x240, 9Hz, NTSC/PAL, AF16
SL-V1-3XN0-A24	Viento320 IR Camera, 320x240, 9Hz, NTSC/PAL, AF24
SL-V1-3XN0-A40	Viento320 IR Camera, 320x240, 9Hz, NTSC/PAL, AF40
SL-V1-3XN0-A90	Viento320 IR Camera, 320x240, 9Hz, NTSC/PAL ,AF90

REVISIONS			
REV.	DESCRIPTION	DATE	Eng.
A	---	3/13/14	SP

PROPRIETARY AND CONFIDENTIAL
 THE INFORMATION CONTAINED IN THIS DRAWING IS THE SOLE PROPERTY OF SIERRA OLYMPIC TECHNOLOGIES, INC. ANY REPRODUCTION IN PART OR AS A WHOLE WITHOUT THE WRITTEN PERMISSION OF SIERRA OLYMPIC TECHNOLOGIES, INC. IS PROHIBITED.

Drawing Rev. A-03

DIMENSIONS ARE IN INCHES. For reference only, except were noted.		Sierra-Olympic Tech., Inc.	
DO NOT SCALE DRAWING		VIENTO320 IR CAMERA	
MATERIAL	COMMENTS:	SIZE A	Revision Date: 6/23/2014
FINISH		Part Rev. A-02	
		SCALE:1:2	SHEET 1 OF 7



NOTES:

- 1. ASSEMBLY SHOWN WITHOUT CAMERA INSTALLED

PROPRIETARY AND CONFIDENTIAL

THE INFORMATION CONTAINED IN THIS DRAWING IS THE SOLE PROPERTY OF SIERRA OLYMPIC TECHNOLOGIES, INC. ANY REPRODUCTION IN PART OR AS A WHOLE WITHOUT THE WRITTEN PERMISSION OF SIERRA OLYMPIC TECHNOLOGIES, INC. IS PROHIBITED.

Drawing Rev. A-03

DIMENSIONS ARE IN INCHES. For reference only, except where noted.

DO NOT SCALE DRAWING

MATERIAL

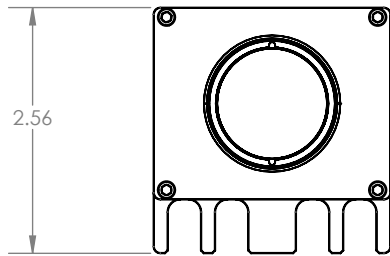
FINISH

COMMENTS:

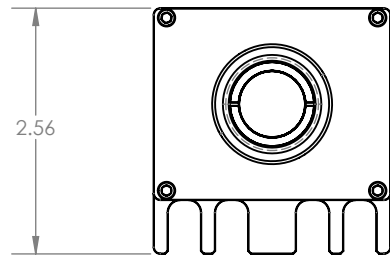
Sierra-Olympic Tech., Inc.

VIENTO320 IR CAMERA

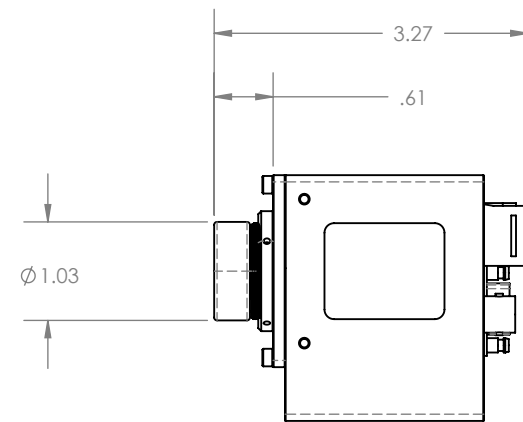
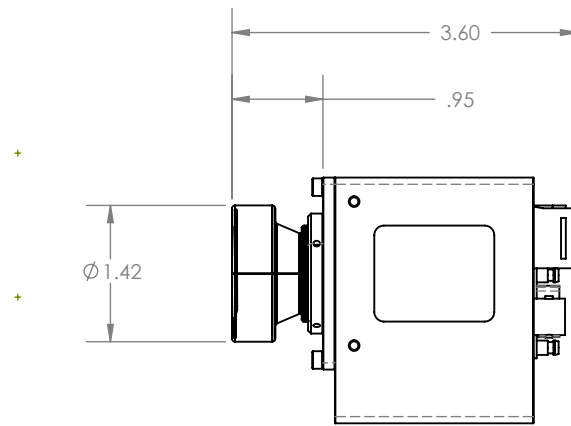
SIZE	Revision Date:	Part Rev.
A	6/23/2014	A-02
SCALE:1:2	SHEET 2 OF 7	



SL-V1-3XN0-M09



SL-V1-3XN0-M15



PROPRIETARY AND CONFIDENTIAL

THE INFORMATION CONTAINED IN THIS DRAWING IS THE SOLE PROPERTY OF SIERRA OLYMPIC TECHNOLOGIES, INC. ANY REPRODUCTION IN PART OR AS A WHOLE WITHOUT THE WRITTEN PERMISSION OF SIERRA OLYMPIC TECHNOLOGIES, INC. IS PROHIBITED.

Drawing Rev. A-03

DIMENSIONS ARE IN INCHES.
For reference only,
except where noted.

DO NOT SCALE DRAWING

MATERIAL

FINISH

COMMENTS:

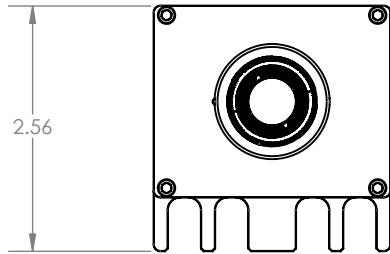
Sierra-Olympic Tech., Inc.

VIENTO320 IR CAMERA

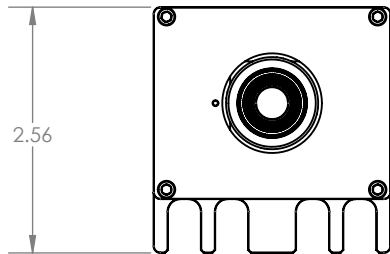
SIZE	Revision Date:	Part Rev. A-02
A	6/23/2014	

SCALE:1:2

SHEET 3 OF 7

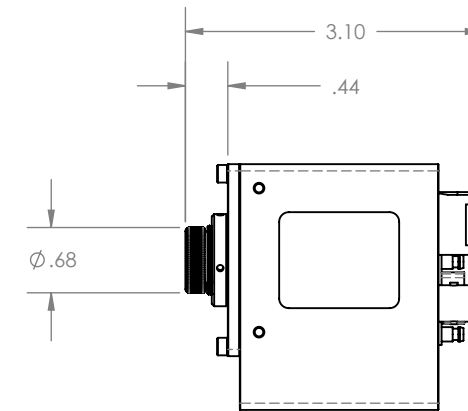
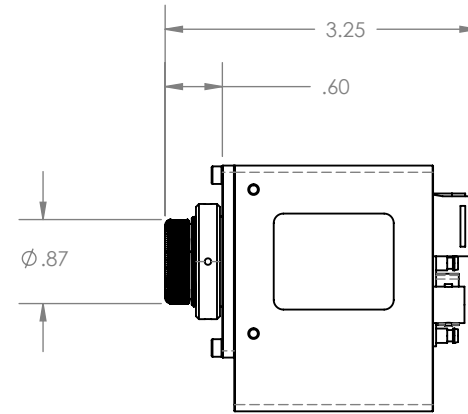


SL-V1-3XN0-M27



SL-V1-3XN0-M40

+
+



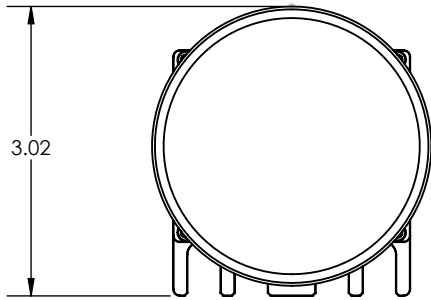
PROPRIETARY AND CONFIDENTIAL

THE INFORMATION CONTAINED IN THIS DRAWING IS THE SOLE PROPERTY OF SIERRA OLYMPIC TECHNOLOGIES, INC. ANY REPRODUCTION IN PART OR AS A WHOLE WITHOUT THE WRITTEN PERMISSION OF SIERRA OLYMPIC TECHNOLOGIES, INC. IS PROHIBITED.

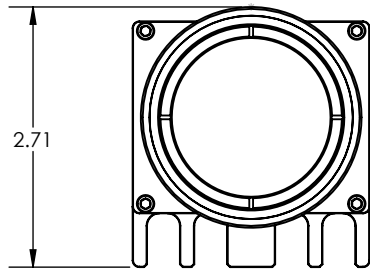
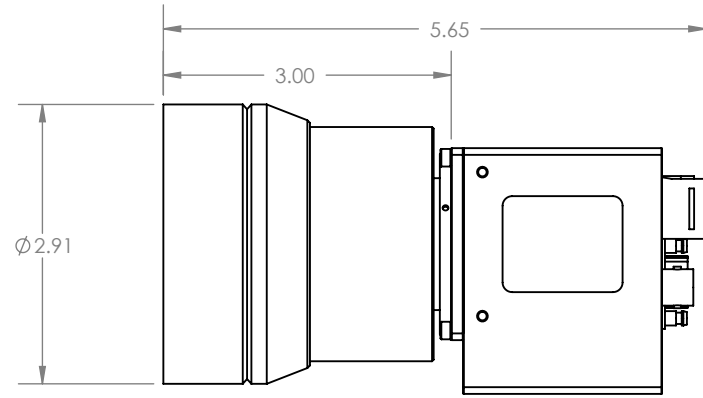
Drawing Rev. A-03

DIMENSIONS ARE IN INCHES. For reference only, except where noted.	
DO NOT SCALE DRAWING	
MATERIAL	COMMENTS:
FINISH	

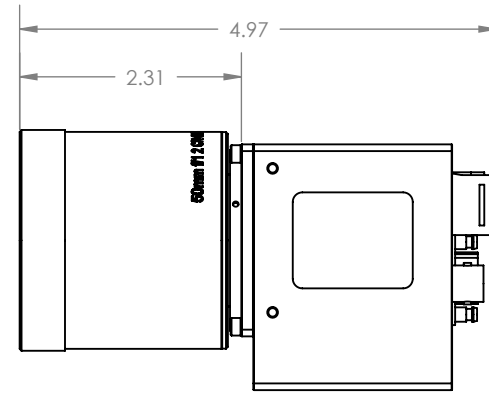
Sierra-Olympic Tech., Inc.	
VIENTO320 IR CAMERA	
SIZE A	Revision Date: 6/23/2014
SCALE:1:2	Part Rev. A-02
SHEET 4 OF 7	



SI-V1-3XN0-A03



SI-V1-3XN0-A06



PROPRIETARY AND CONFIDENTIAL

THE INFORMATION CONTAINED IN THIS DRAWING IS THE SOLE PROPERTY OF SIERRA OLYMPIC TECHNOLOGIES, INC. ANY REPRODUCTION IN PART OR AS A WHOLE WITHOUT THE WRITTEN PERMISSION OF SIERRA OLYMPIC TECHNOLOGIES, INC. IS PROHIBITED.

Drawing Rev. A-03

DIMENSIONS ARE IN INCHES.
For reference only,
except where noted.

DO NOT SCALE DRAWING

MATERIAL

FINISH

COMMENTS:

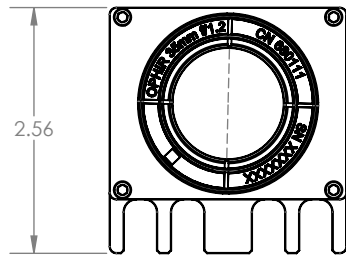
Sierra-Olympic Tech., Inc.

VIENTO320 IR CAMERA

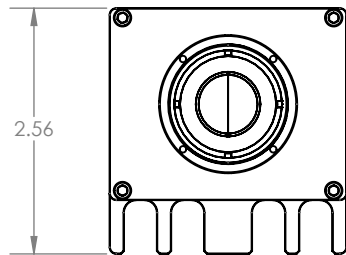
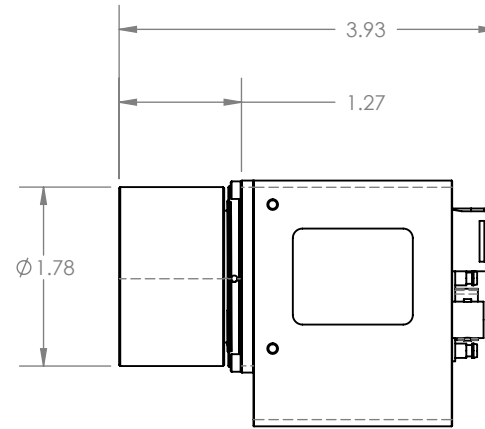
SIZE **A** Revision Date: **6/23/2014** Part Rev. **A-02**

SCALE:1:2

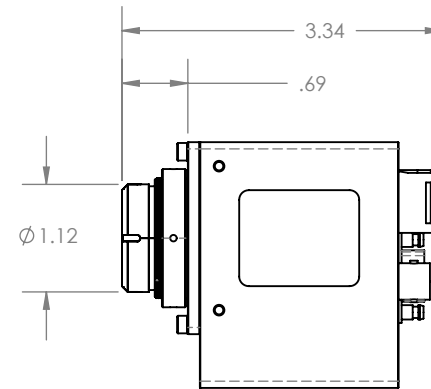
SHEET 5 OF 7



SL-V1-3XN0-A09



SL-V1-3XN0-A16



PROPRIETARY AND CONFIDENTIAL

THE INFORMATION CONTAINED IN THIS DRAWING IS THE SOLE PROPERTY OF SIERRA OLYMPIC TECHNOLOGIES, INC. ANY REPRODUCTION IN PART OR AS A WHOLE WITHOUT THE WRITTEN PERMISSION OF SIERRA OLYMPIC TECHNOLOGIES, INC. IS PROHIBITED.

Drawing Rev. A-03

DIMENSIONS ARE IN INCHES.
For reference only,
except where noted.

DO NOT SCALE DRAWING

MATERIAL

FINISH

COMMENTS:

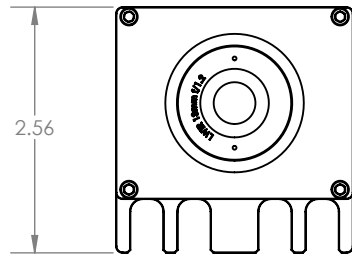
Sierra-Olympic Tech., Inc.

VIENTO320 IR CAMERA

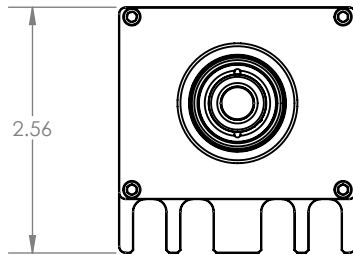
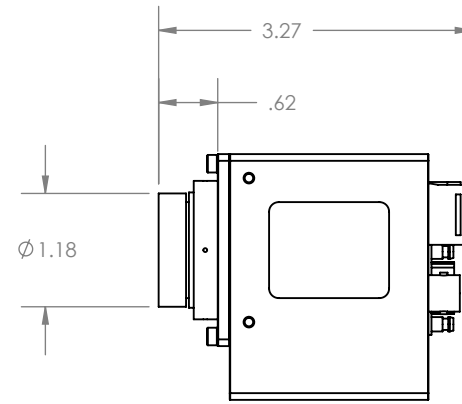
SIZE **A** Revision Date: 6/23/2014 Part Rev. A-02

SCALE:1:2

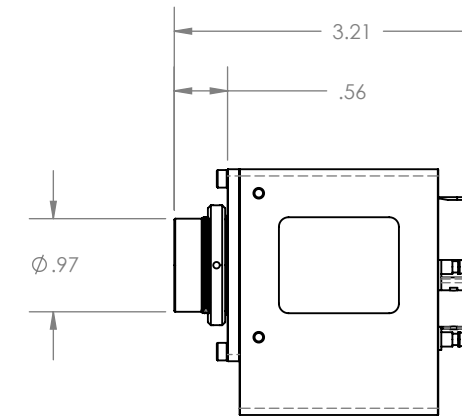
SHEET 6 OF 7



SL-V1-3XN0-A24



SL-V1-3XN0-A40



PROPRIETARY AND CONFIDENTIAL
 THE INFORMATION CONTAINED IN THIS DRAWING IS THE SOLE PROPERTY OF SIERRA OLYMPIC TECHNOLOGIES, INC. ANY REPRODUCTION IN PART OR AS A WHOLE WITHOUT THE WRITTEN PERMISSION OF SIERRA OLYMPIC TECHNOLOGIES, INC. IS PROHIBITED.

Drawing Rev. A-03

DIMENSIONS ARE IN INCHES.
 For reference only, except were noted.

DO NOT SCALE DRAWING

MATERIAL

FINISH

COMMENTS:

Sierra-Olympic Tech., Inc.	
VIENTO320 IR CAMERA	
SIZE A	Revision Date: 6/23/2014
SCALE:1:2	Part Rev. A-02
SHEET 7 OF 7	