

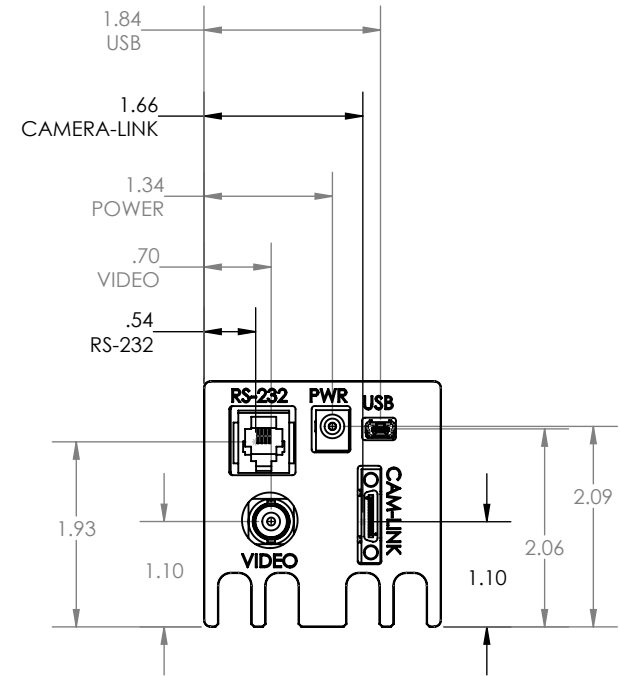
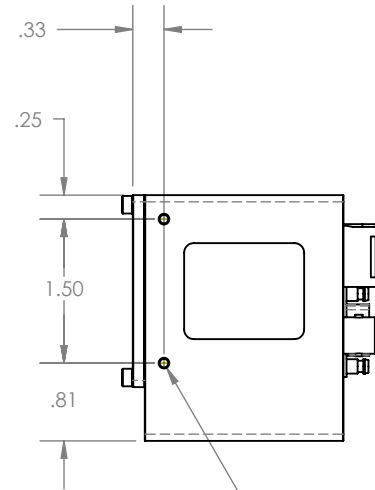
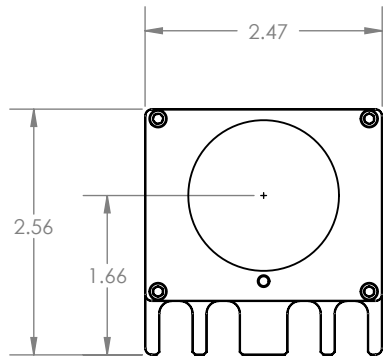
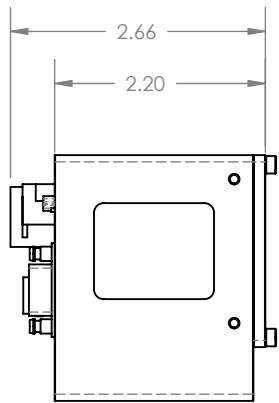
SL-V1-6XN0-A09	Viento640 IR Camera, 640x480, 30Hz, NTSC/PAL, AF09
SL-V1-6XN0-A12	Viento640 IR Camera, 640x480, 30Hz, NTSC/PAL, AF12
SL-V1-6XN0-A17	Viento640 IR Camera, 640x480, 30Hz, NTSC/PAL, AF17
SL-V1-6XN0-A24	Viento640 IR Camera, 640x480, 30Hz, NTSC/PAL, AF24
SL-V1-6XN0-A37	Viento640 IR Camera, 640x480, 30Hz, NTSC/PAL, AF37
SL-V1-6XN0-A44	Viento640 IR Camera, 640x480, 30Hz, NTSC/PAL, AF44
SL-V1-6XN0-A90	Viento640 IR Camera, 640x480, 30Hz, NTSC/PAL, AF90
SL-V1-6XN0-A06	Viento640 IR Camera, 640x480, 30Hz, NTSC/PAL, AF06

REVISIONS			
REV.	DESCRIPTION	DATE	Eng.
A	---	3/13/14	SP

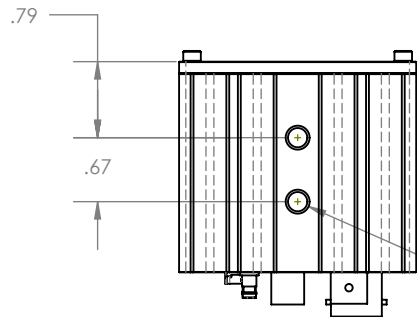
PROPRIETARY AND CONFIDENTIAL
 THE INFORMATION CONTAINED IN THIS DRAWING IS THE SOLE PROPERTY OF SIERRA OLYMPIC TECHNOLOGIES, INC. ANY REPRODUCTION IN PART OR AS A WHOLE WITHOUT THE WRITTEN PERMISSION OF SIERRA OLYMPIC TECHNOLOGIES, INC. IS PROHIBITED.

Drawing Rev. A-03

DIMENSIONS ARE IN INCHES. For reference only, except where noted.		Sierra-Olympic Tech., Inc.	
DO NOT SCALE DRAWING		VIENTO640 IR CAMERA	
MATERIAL	COMMENTS:	SIZE	Revision Date:
FINISH		A 6/24/2014	Part Rev. A-03
		SCALE:1:2	SHEET 1 OF 6



2X $\phi .09 \nabla .17$
4-40 UNC $\nabla .14$
SAME BOTH SIDES



2X $\phi .20 \nabla .40$
1/4-20 UNC $\nabla .25$

NOTES:

1. ASSEMBLY SHOWN WITHOUT CAMERA INSTALLED

PROPRIETARY AND CONFIDENTIAL

THE INFORMATION CONTAINED IN THIS DRAWING IS THE SOLE PROPERTY OF SIERRA OLYMPIC TECHNOLOGIES, INC. ANY REPRODUCTION IN PART OR AS A WHOLE WITHOUT THE WRITTEN PERMISSION OF SIERRA OLYMPIC TECHNOLOGIES, INC. IS PROHIBITED.

Drawing Rev. A-03

DIMENSIONS ARE IN INCHES.
For reference only,
except were noted.

DO NOT SCALE DRAWING

MATERIAL

FINISH

COMMENTS:

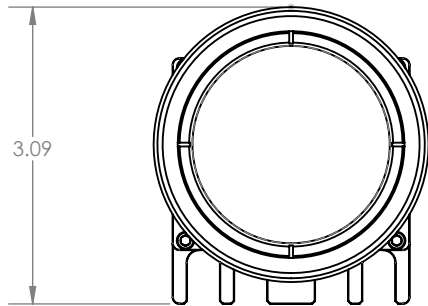
Sierra-Olympic Tech., Inc.

VIENTO640 IR CAMERA

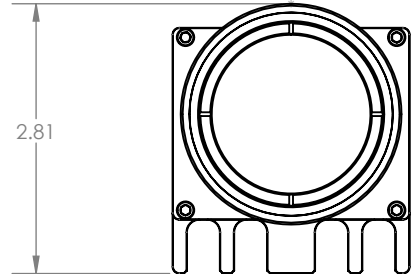
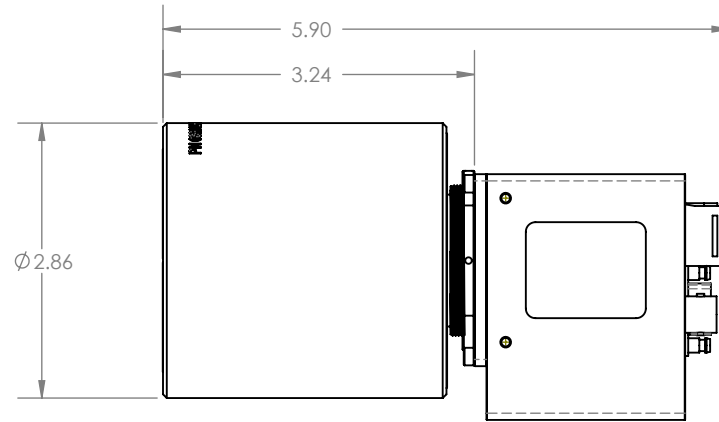
SIZE **A** Revision Date: 6/24/2014 Part Rev. A-03

SCALE:1:2

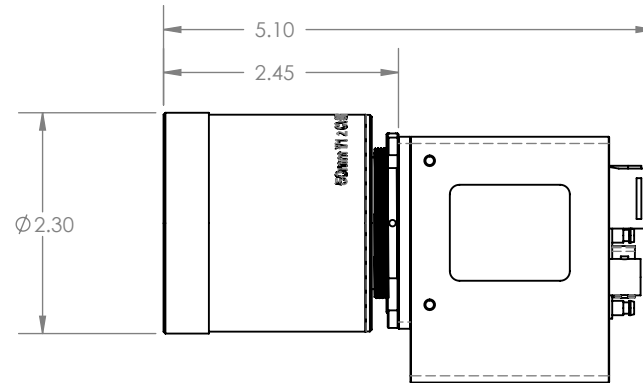
SHEET 2 OF 6



SL-V1-6XN0-A09



SL-V1-6N40-A12



PROPRIETARY AND CONFIDENTIAL
 THE INFORMATION CONTAINED IN THIS DRAWING IS THE SOLE PROPERTY OF SIERRA OLYMPIC TECHNOLOGIES, INC. ANY REPRODUCTION IN PART OR AS A WHOLE WITHOUT THE WRITTEN PERMISSION OF SIERRA OLYMPIC TECHNOLOGIES, INC. IS PROHIBITED.

Drawing Rev. A-03

DIMENSIONS ARE IN INCHES.
 For reference only, except where noted.

DO NOT SCALE DRAWING

MATERIAL

FINISH

COMMENTS:

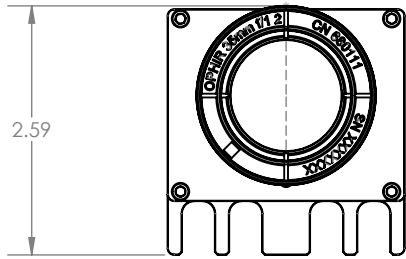
Sierra-Olympic Tech., Inc.

VIENTO640 IR CAMERA

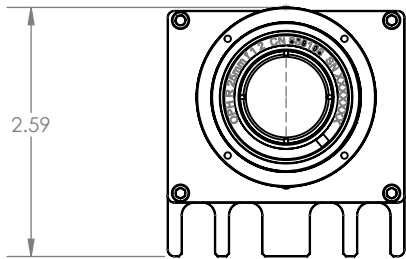
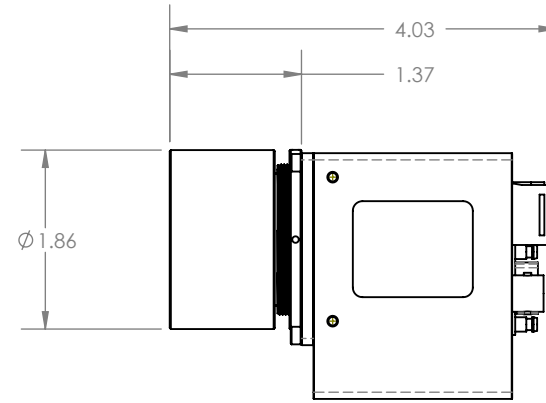
SIZE **A** Revision Date: 6/24/2014 Part Rev. A-03

SCALE:1:2

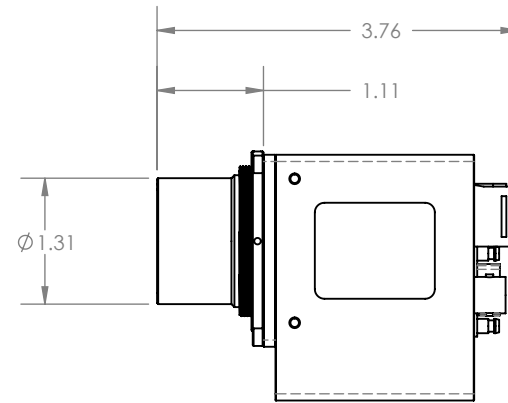
SHEET 3 OF 6



SL-V1-6XN0-A17



SL-V1-6XN0-A24



PROPRIETARY AND CONFIDENTIAL

THE INFORMATION CONTAINED IN THIS DRAWING IS THE SOLE PROPERTY OF SIERRA OLYMPIC TECHNOLOGIES, INC. ANY REPRODUCTION IN PART OR AS A WHOLE WITHOUT THE WRITTEN PERMISSION OF SIERRA OLYMPIC TECHNOLOGIES, INC. IS PROHIBITED.

Drawing Rev. A-03

DIMENSIONS ARE IN INCHES.
For reference only,
except where noted.

DO NOT SCALE DRAWING

MATERIAL

FINISH

COMMENTS:

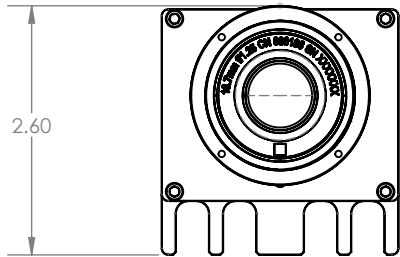
Sierra-Olympic Tech., Inc.

VIENTO640 IR CAMERA

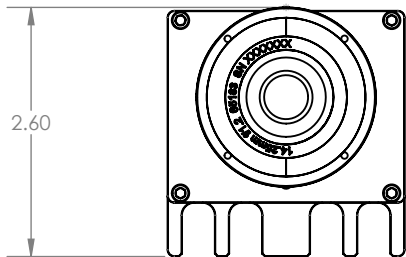
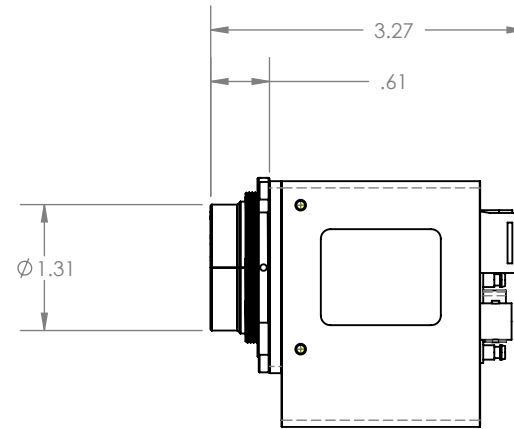
SIZE **A** Revision Date: 6/24/2014 Part Rev. A-03

SCALE:1:2

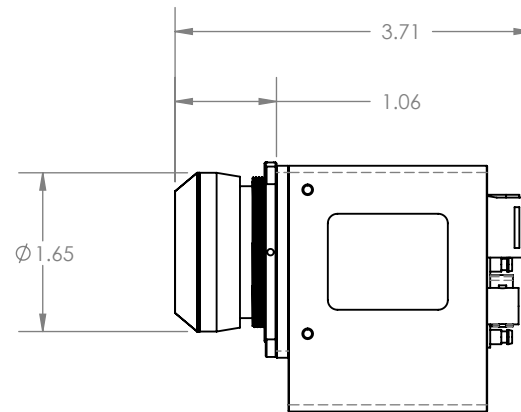
SHEET 4 OF 6



SL-V1-6XN0-A37



SL-V1-6XN0-A44



PROPRIETARY AND CONFIDENTIAL

THE INFORMATION CONTAINED IN THIS DRAWING IS THE SOLE PROPERTY OF SIERRA OLYMPIC TECHNOLOGIES, INC. ANY REPRODUCTION IN PART OR AS A WHOLE WITHOUT THE WRITTEN PERMISSION OF SIERRA OLYMPIC TECHNOLOGIES, INC. IS PROHIBITED.

Drawing Rev. A-03

DIMENSIONS ARE IN INCHES.
For reference only,
except where noted.

DO NOT SCALE DRAWING

MATERIAL

FINISH

COMMENTS:

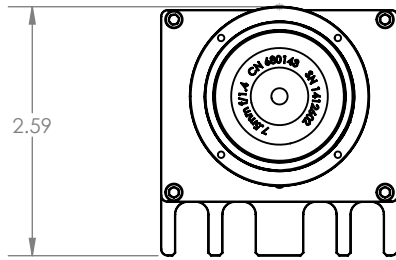
Sierra-Olympic Tech., Inc.

VIENTO640 IR CAMERA

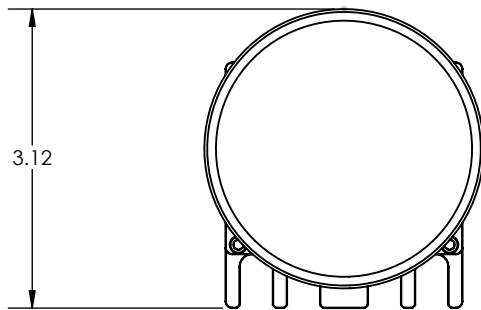
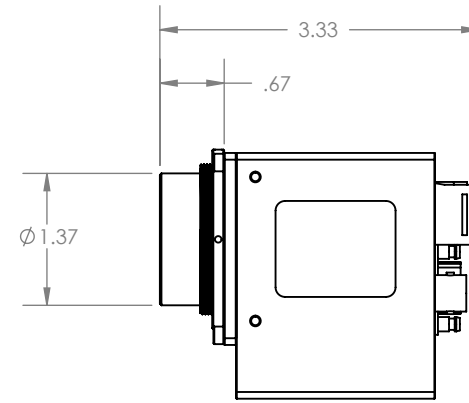
SIZE **A** Revision Date: 6/24/2014 Part Rev. A-03

SCALE:1:2

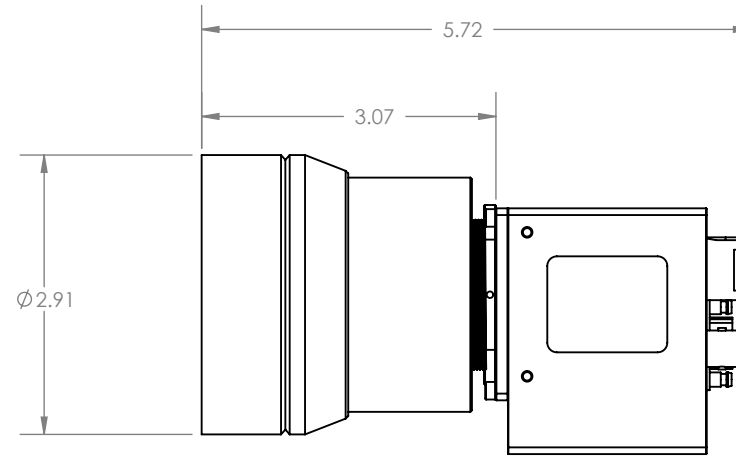
SHEET 5 OF 6



SL-V1-6XN0-A90



SL-V1-6XN0-A06



PROPRIETARY AND CONFIDENTIAL

THE INFORMATION CONTAINED IN THIS DRAWING IS THE SOLE PROPERTY OF SIERRA OLYMPIC TECHNOLOGIES, INC. ANY REPRODUCTION IN PART OR AS A WHOLE WITHOUT THE WRITTEN PERMISSION OF SIERRA OLYMPIC TECHNOLOGIES, INC. IS PROHIBITED.

Drawing Rev. A-03

DIMENSIONS ARE IN INCHES.
For reference only,
except where noted.

DO NOT SCALE DRAWING

MATERIAL

FINISH

COMMENTS:

Sierra-Olympic Tech., Inc.

VIENTO640 IR CAMERA

SIZE **A** Revision Date: 6/24/2014 Part Rev. A-03

SCALE:1:2

SHEET 6 OF 6